

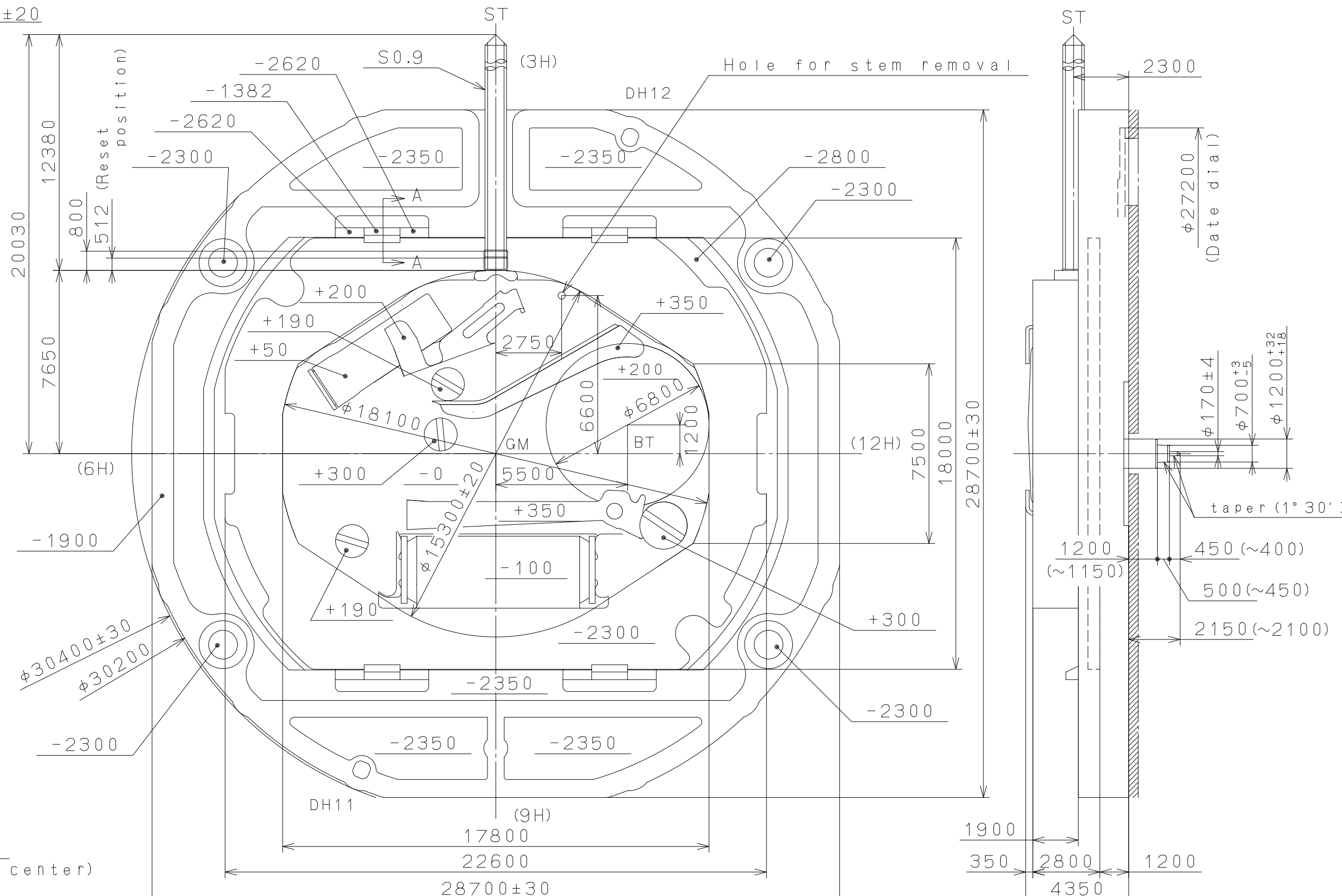
CONFIDENTIAL 2014/04/25 (08:33:12)

This drawing is provisional and subject to our reconfirmation and/or revision without notice.

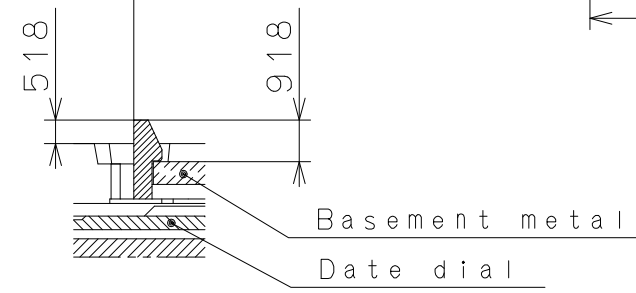
DH11~DH12=28678±20

Coordinates

記号	X	Y
GM	0	0
DH11	-5600	-13200
DH12	5600	13200



9430 (from center)



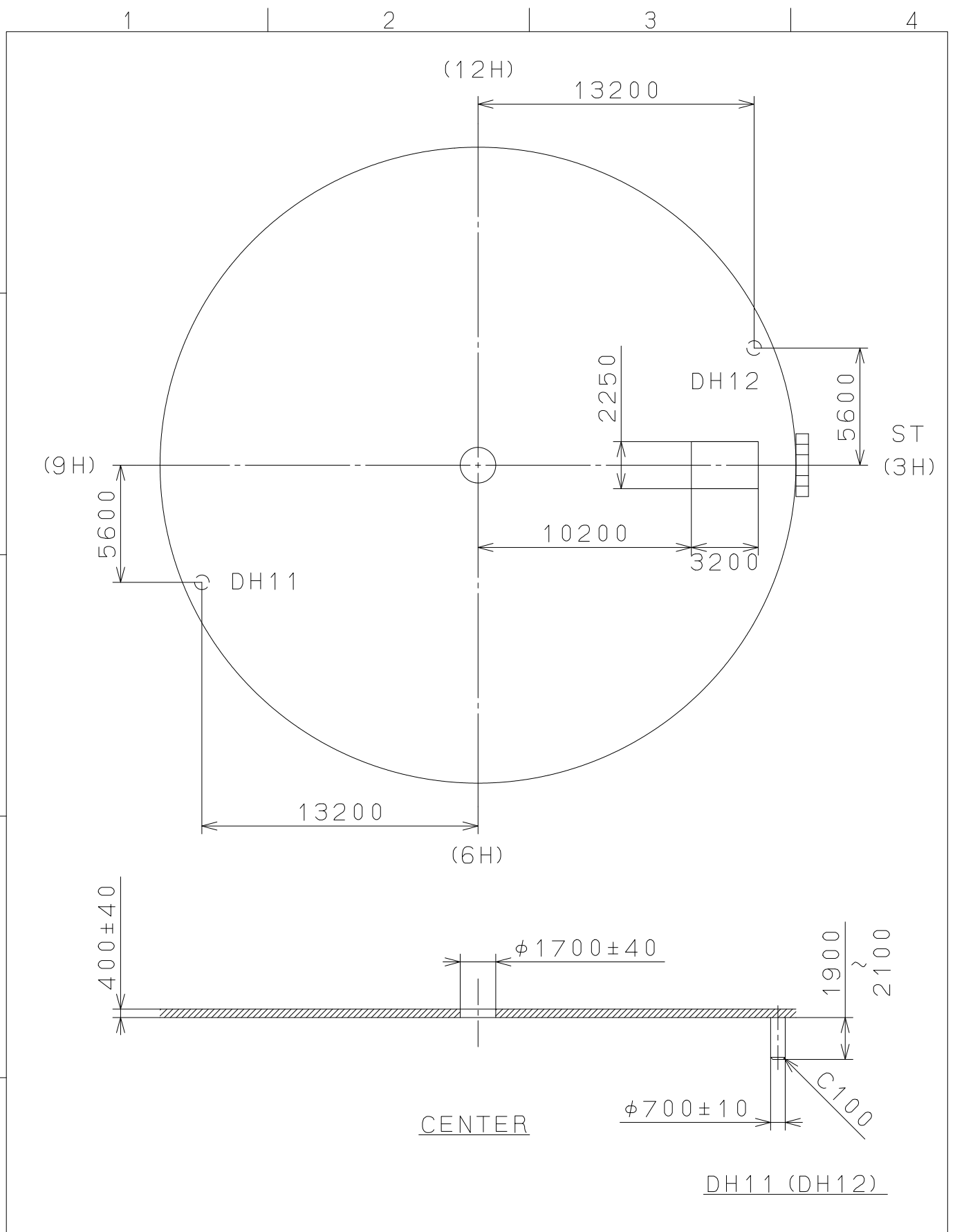
Section A-A (other hook)

Quantity	Cal. NO.:
Unit	2417
Scale	Parts No.:
Date	
Drawn	
Mark	Name:
Date	Frame for Case
Description	Approved
Alterations	Approved
Material	Drawing No.: 2417C000
Heat Treatment	General Tolerances
Hardness	Dimensions
Plating	Angles

MIYOTA

CITIZEN WATCH CO., LTD. TOKYO, JAPAN

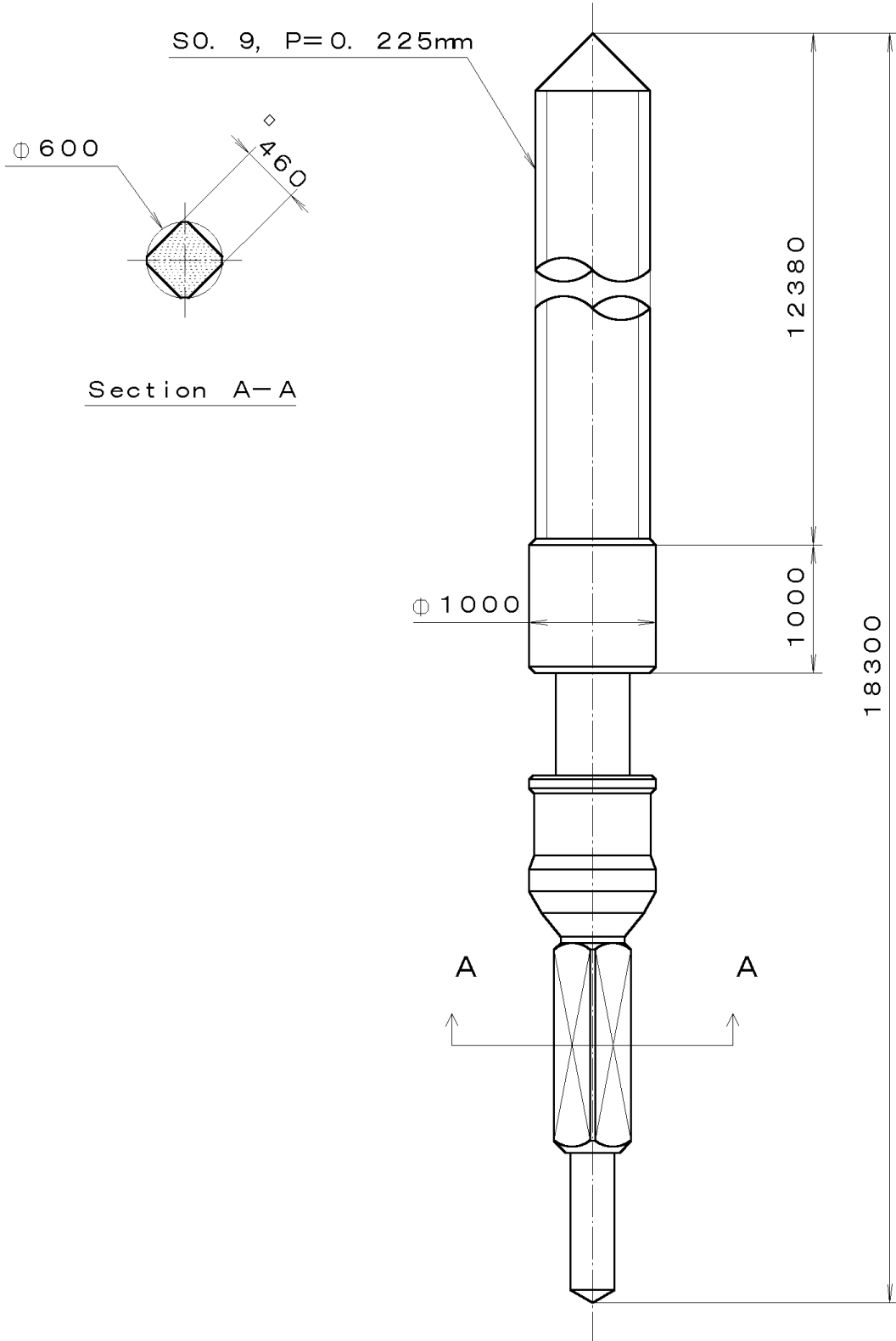
This drawing is provisional and subject to our reconfirmation and/or revision without notice.



△			Quantity		Cal.NO.:
△			Unit	1 / 1000 mm	2417-20A
△			Scale	4 / 1	Parts No.:
△			Date		
△			Drawn		
Mark	Date	Description	Appro.	Checked	Name:
		Alterations	Approved	E. Murakami	Indications for Dial
Material					Drawing No.: 2417D000
Heat Treatment			General Tolerances	MIYOTA CITIZEN WATCH CO., LTD. TOKYO, JAPAN	
Hardness			Dimensions		
Plating			Angles		

This drawing is provisional and subject to our reconfirmation and/or revision without notice.

*** T I P W (01) *** (2100 1121) 00-06-23



7		Quantity		Ca l. No. :
6		Unit	1/1000 mm	Parts:
5		Scale	20:1	
4		Date		065-299
3		Drawn		
2		Checked	T. Hiruta	Name:
1		Approved		SETTING STEM
Material				Drawing No. : 2990S000
Heat Treatment		General Tolerances		
Hardness		Dimensions		
Plating		Angles		